



The Sienna kiosk provides superior computing power for a full range of self-service touch screen applications. This landscape oriented All-In-One system includes a durable enclosure and stylish profile.

It is easily installed and designed for 24x7 unattended, indoor environments. The Sienna's large format LCD is perfect for broadcasting information and providing self-service options. The Sienna's small footprint is ideal for public spaces. 32", 43", or 55" touch screens are available and can be delivered in a variety of colors with custom branding.



Durable Free Standing Kiosk
Designed for Unattended Public Spaces
Onsite Installation
Commercial Grade LCD

32", 43" or 55" Display
10-Point PCAP Touch Screen
Small Footprint
Vandal Resistant Design

High-Powered Windows PC
Integrated Audio
On-Site Warranty
Custom Colors



RETAIL



HEALTHCARE



**ENTERTAINMENT
& GAMING**



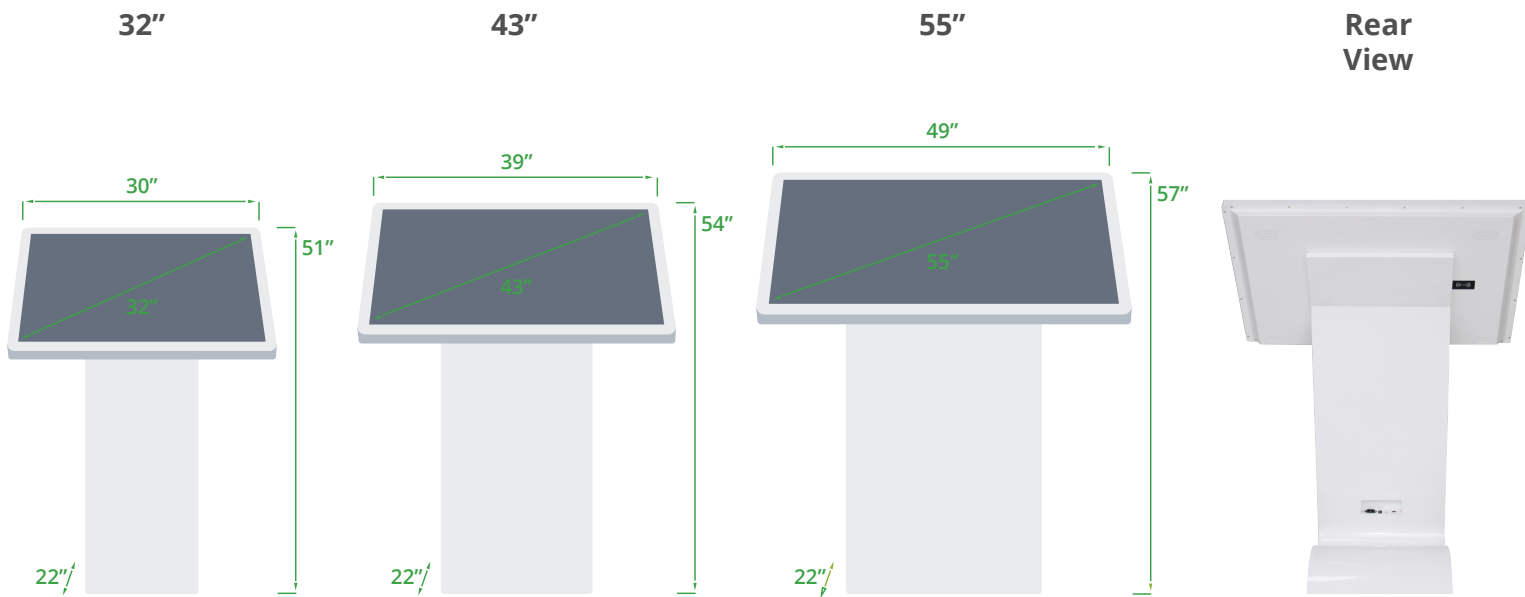
**GOVERNMENT
& EDUCATION**



HOSPITALITY

Digital Signage • Wayfinding • Interactive Directory • Product Catalog/Ordering/Payments • Concierge/Check In

KIOSK



HARDWARE & OS

Operating System	Windows 11 IoT		
CPU	Intel i5 or i7		
RAM	16GB DDR4		
Storage	128GB or 1T SSD		
Connectivity	Wifi, Ethernet, or 5G (AT&T)		
Touch System	10-Point PCAP		

SPECIFACTIONS	43"	55"	65"
Max Resolution	1920x1080px	1920x1080px	1920x1080px
Brightness	500cd/m ²	500cd/m ²	500cd/m ²
Weight	85 lbs	100 lbs	115 lbs

CERTIFICATION CE/FCC/RoHS

WARRANTY One Year On-Site Support; Extended Warranties Available